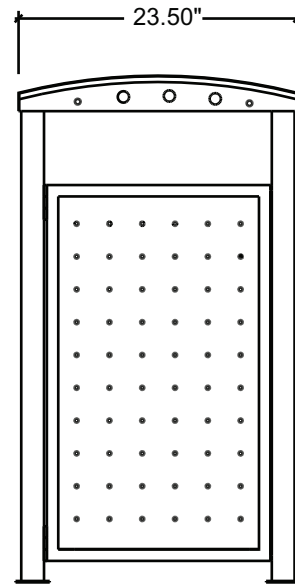
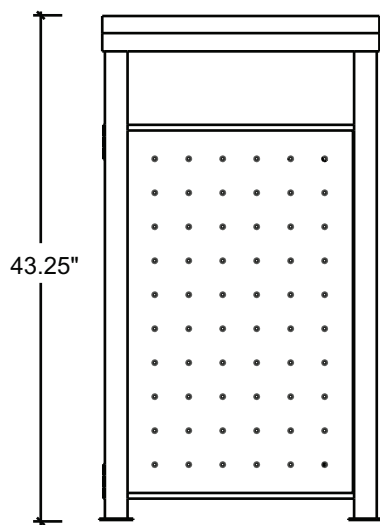
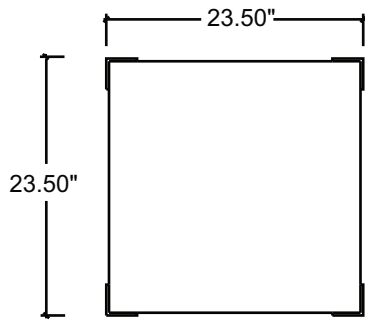


Times Square EL - 009



- **Model:** EL -009 P
- **Material:** P - Zinc Plated Steel
- **Finish:** Optional e-coating powder coated finish
- **Liner:** AC-001(05-02-07)
19" x 19" x 28" Plastic liner
Capacity: 147litre/39USgal
Material:Polyethylene
- **Door:** Optional side hinged door available
- **Dimensions:** 23½" (l) x 23 ½" (w) x 43¼" (h)
- **Lid:** Removable
- **Weight:** Approximately 65lbs.
- **Installation:** Bolted down or free standing
- **Board Messaging:** 19"x32"(4)