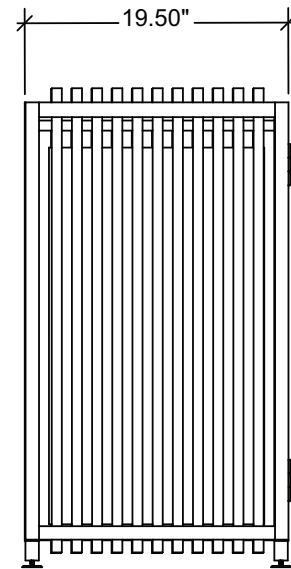
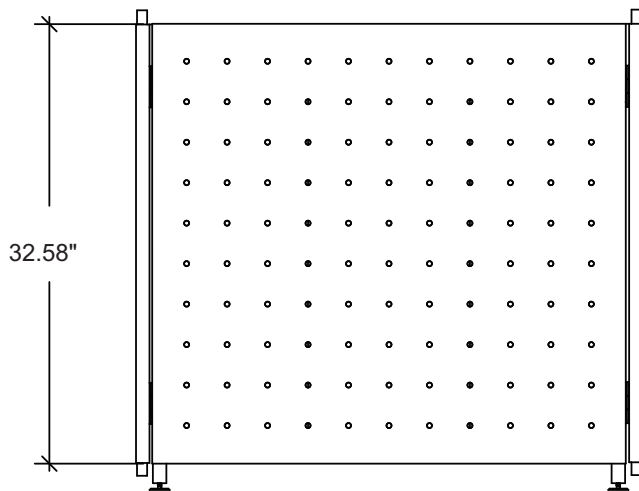
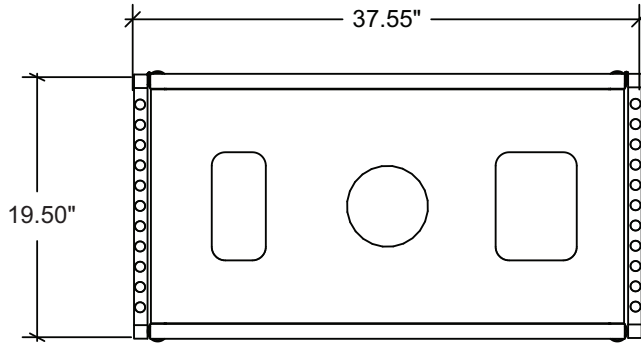


# Milano CA - 053



- **Model:** CA-053 S / P
- **Material:** S - Stainless Steel  
P - Zinc Plated Steel
- **Finish:** Brushed stainless finish  
Or powder coated finish
- **Liner:** AC-002(08-29-07)  
9.5"(w) x 17"(d) x 28"(h) Plastic liner
- **Dimensions:** 19.50" (d) x 37.55" (w) x 32.58" (h)
- **Weight:** Approximately 100lbs.
- **Installation:** Bolted down or free standing