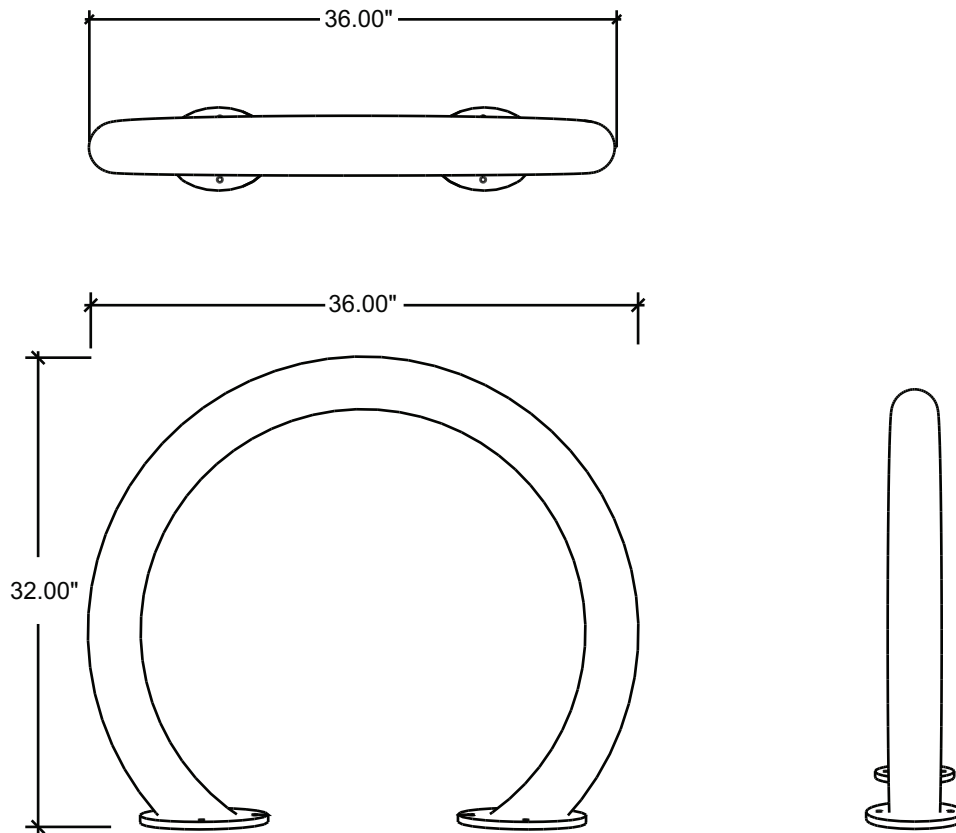


Horseshoe Bicycle Rack CA - 038



- **Model:** CA - 038 S
- **Material:** S - Schedule 40 stainless steel tube
- **Finish:** Brushed
- **Dimensions:** 32" Tall by 36" long by 2.375" diameter
- **Capacity:** Two (leaning) bicycles
- **Weight:** Approximately 70lbs.
- **Installation:** Floor mounted or bolted down