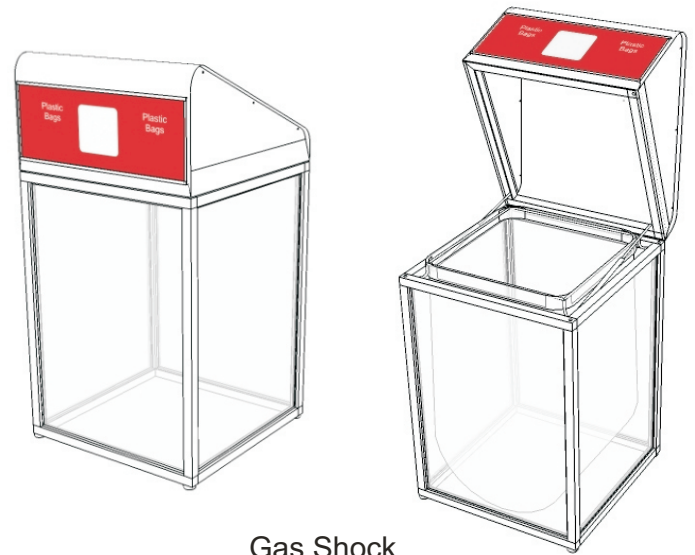
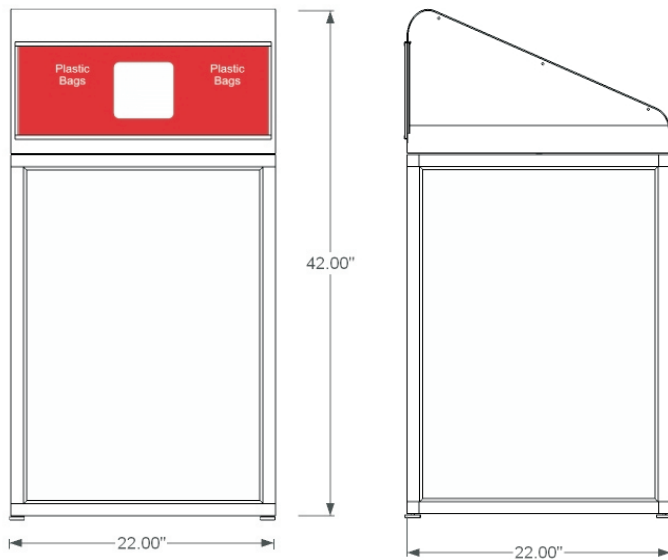


Delano - Plastic Bag Bin CA-102



Gas Shock
Assisted Lid.

- **Model:** CA-102
- **Materials:** Mild steel sheet metal.
Polycarbonate Panels.
Plastic Opening
- **Finish:** Powder Coated Finish
- **Liner:** 36in x 46in clear bag.
- **Dimensions:** 42in (H) x 22in (W) x 22in (D)
- **Openings:** Plastic Bag 5in Sq.
- **Lock:** Universal Key Cam lock
- **Weight:** Approx. 42lbs
- **Installation:** Free Standing with levelling glides (4)
- **Signage:** 17in x 27in Face

Production Item Code: CA-102